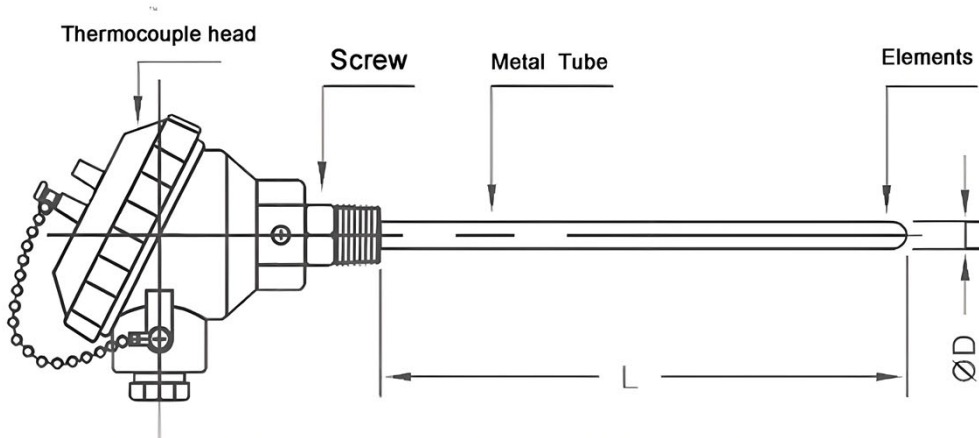




嘉时国际贸易（上海）有限公司  
**JWB INTERNATIONAL (SHANGHAI) CO., LTD**  
 上海市浦东新区启帆路515号南楼森兰美奂C809室  
 C809, Mei Center, South Building, No. 515, Qifan Road,  
 Pudong New Area, 201208 Shanghai, China  
 TEL: 86-21-68888152 FAX: 86-21-68888153

## THERMO ELEMENTS PRODUCT INFORMATION



### Specification

Type	Graduation	Tolerance Class			
		I		II	
		Tolerance Value	Measuring Range°C	Tolerance Value	Measuring Range°C
WRN	K	±1.5°C	-40~+375	±2.5°C	-40~+333
		±0.004/t/	375~1000	±0.0075/t/	333~1200
WRM	N	±1.5°C	-40~+375	±2.5°C	-40~+333
		±0.004/t/	375~1000	±0.0075/t/	333~1200
WRE	E	±1.5°C	-40~+375	±1.5°C	-40~+333
		±0.004/t/	375~800	±0.004/t/	333~900
WRF	J	±1.5°C	-40~+375	±1.5°C	-40~+333
		±0.004/t/	375~750	±0.004/t/	333~750
WRC	T	±0.004/t/	-40~+125	±1°C	-40~+133
		±0.004/t/	375~350	±0.0075/t/	133~350

From JWB Chinasourcing  
 Technology  
[www.jwbchinasourcing.com](http://www.jwbchinasourcing.com)