

600W-182M/156

Monocrystalline PERC Module

2465×1134×35/30 **182×91**

Dimensions (mm) Cell size (mm)

156 CELL **570-600Wp**

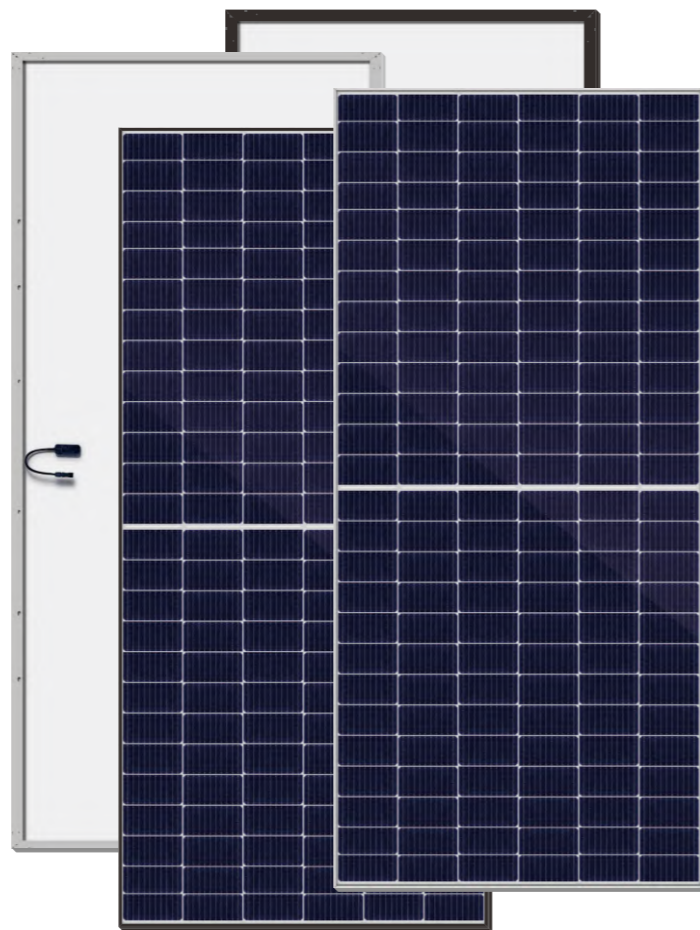
Mono PERC Power output

1500V DC **21.46%**

Max. system voltage Max. efficiency

KEY FEATURES

- Higher Power Output**
Module power increases by 5-25% generally, bringing significantly lower LCOE and higher IRR. 0-5w positive tolerance output warranty.
- Most Advanced Production Technologies**
Optimize module current profile, improve system-side power generation.
- Multi Busbar Technology**
By improving optical utilization rate, power increases by 2~3% and efficiency increases by 0.4~0.6%.
- PID Resistance**
Excellent Anti-PID performance guarantee via optimized mass-production process and material control.
- Low-light Performance**
Excellent performance in low light.
- Enhanced Mechanical Load**
Certified to withstand: wind load (2400 Pa) and snow load (5400 Pa).
- Durability Against Extreme Environmental Conditions**
High salt mist and ammonia resistance certified by TUV NORD.
- 2 EL Full Inspection**
Dual-stage 100% EL Inspection.

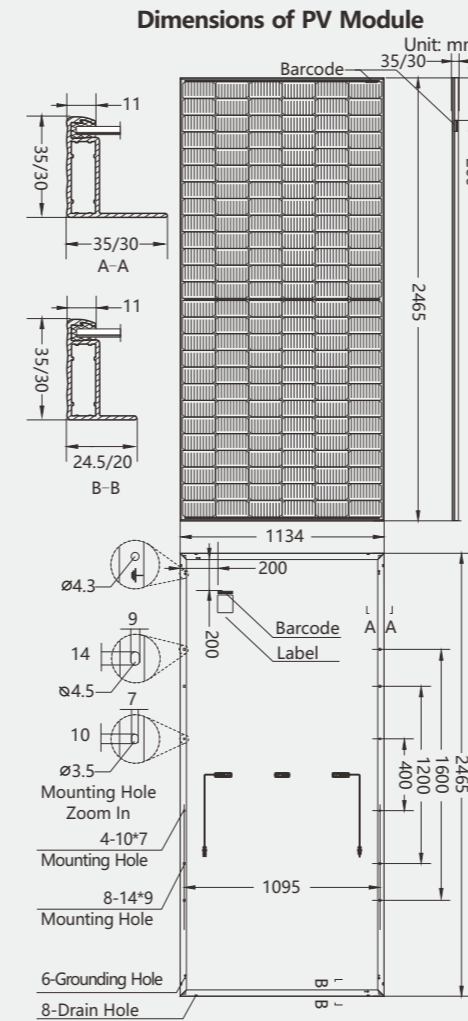
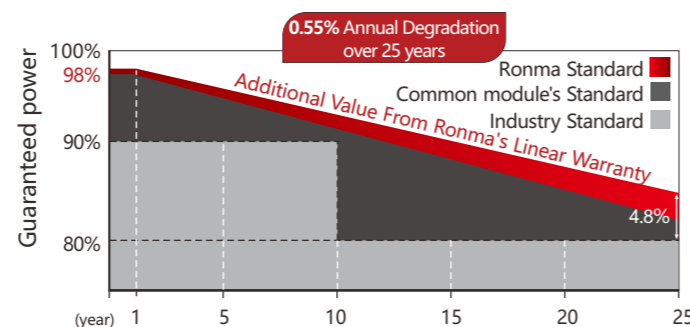


Comprehensive Products and System Certificates

IEC61215/IEC61730/IEC61701/IEC62716
 ISO 9001: Quality Management System
 ISO 14001: Environmental Management System
 ISO14064: Greenhouse Gases Emissions Verification
 OHSAS 18001: Occupational Health and Safety Management System

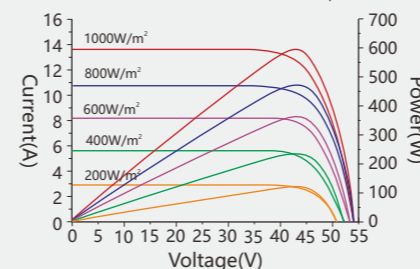
LINEAR PERFORMANCE WARRANTY

15-year product warranty / 25-year linear power warranty

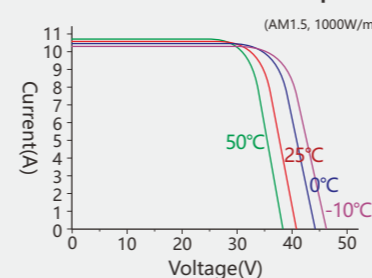


585W-182M/156

I-V characteristics at different irradiances
Cells temp.=25°C



I-V characteristics at different temperatures
(AM1.5, 1000W/m²)



ELECTRICAL DATA(STC)

Model Number	RM-570W-182M/156	RM-575W-182M/156	RM-580W-182M/156	RM-585W-182M/156	RM-590W-182M/156	RM-595W-182M/156	RM-600W-182M/156
Rated Power in Watts-Pmax(Wp)	570	575	580	585	590	595	600
Open Circuit Voltage-Voc(V)	53.25	53.50	53.75	54.00	54.20	54.40	54.60
Short Circuit Current-Isc(A)	13.58	13.63	13.68	13.73	13.80	13.88	13.96
Max. Power Voltage-Vmpp(V)	44.50	44.70	44.90	45.15	45.30	45.45	45.60
Max. Power Current-Imp(A)	12.82	12.87	12.92	12.97	13.03	13.10	13.17
Module Efficiency(%)	20.39	20.57	20.75	20.93	21.11	21.29	21.46

STC: Irradiance 1000W/m², Cell Temperature 25°C, Air Mass AM 1.5.

MECHANICAL DATA

Solar Cells	Monocrystalline
Cell Size	182mm×91mm
Cell Configuration	156 cells (6×13+6×13)
Module Dimensions	2465×1134×35/30mm
Weight	30kg
Glass	High Transmission, Low Iron, Tempered ARC Glass 3.2mm
Back Sheet	White
Frame	Anodized Aluminium Alloy type 6005 T6, Silver Color
J-box	IP68, 1500V DC, 3 Diodes
Cable	4.0mm², (+) 300mm, (-) 200mm (Connector Included) Length can be customized
Connector	MC4-compatible

TEMPERATURE & MAXIMUM RATINGS

Nominal Operating Cell Temperature (NOCT)	44°C ± 2°C
Temperature Coefficient of Voc	-0.27%/°C
Temperature Coefficient of Isc	0.04%/°C
Temperature Coefficient of Pmax	-0.36%/°C
Operational Temperature	-40°C ~ +85°C
Max. System Voltage	1500V DC
Max. Series Fuse Rating	25A

PACKAGING CONFIGURATION

Height of Modules (mm)	35	30
Number of Modules Per Pallet	31	36
Packaging Box Dimensions (l×w×h) (mm)	2485×1120×1260	2485×1120×1260
Box Gross Weight (kg)	960	1110
Number of Modules Per 40ft (HQ) Container	496	576
Number of Pallets Per 40ft (HQ) Container	16	16

CAUTION: READ SAFETY AND INSTALLATION INSTRUCTIONS BEFORE USING THE PRODUCT

560W-182M/144

Monocrystalline PERC Module

2279×1134×35/30 **182×91**

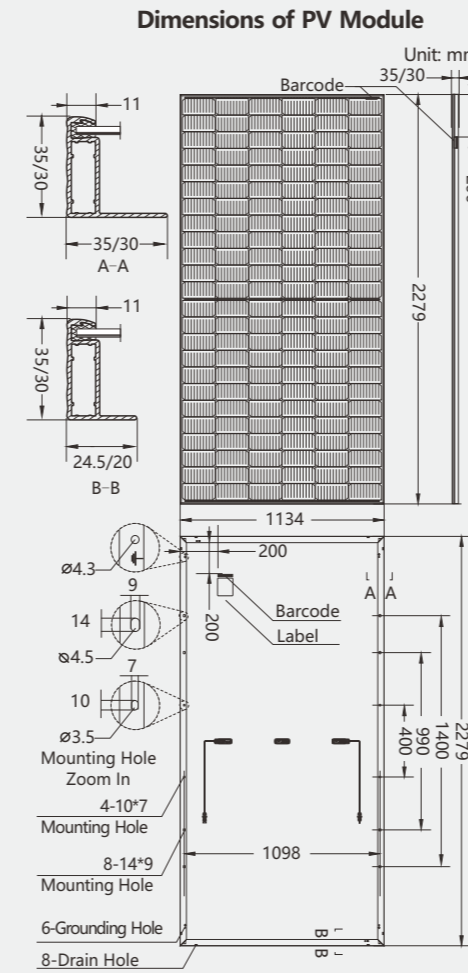
Dimensions (mm) Cell size (mm)

144 CELL **535-560Wp**

Mono PERC Power output

1500V DC **21.66%**

Max. system voltage Max. efficiency



ELECTRICAL DATA(STC)

Model Number	RM-535W-182M/144	RM-540W-182M/144	RM-545W-182M/144	RM-550W-182M/144	RM-555W-182M/144	RM-560W-182M/144
Rated Power in Watts-Pmax(Wp)	535	540	545	550	555	560
Open Circuit Voltage-Voc(V)	49.52	49.69	49.90	50.10	50.25	50.4
Short Circuit Current-Isc(A)	13.78	13.86	13.90	13.95	13.99	14.05
Max. Power Voltage-Vmpp(V)	41.55	41.72	41.90	42.10	42.25	42.4
Max. Power Current-Imp(A)	12.88	12.95	13.02	13.07	13.15	13.21
Module Efficiency(%)	20.70	20.89	21.09	21.28	21.48	21.66

STC: Irradiance 1000W/m², Cell Temperature 25°C, Air Mass AM 1.5.

MECHANICAL DATA

Solar Cells	Monocrystalline
Cell Size	182mm×91mm
Cell Configuration	144 cells (6×12×6×12)
Module Dimensions	2279×1134×35/30mm
Weight	27.5kg
Glass	High Transmission, Low Iron, Tempered ARC Glass 3.2mm
Back Sheet	White
Frame	Anodized Aluminium Alloy type 6005 T6, Silver Color
J-box	IP68, 1500V DC, 3 Diodes
Cable	4.0mm ² , (+) 300mm, (-) 200mm (Connector Included) Length can be customized
Connector	MC4-compatible

TEMPERATURE & MAXIMUM RATINGS

Nominal Operating Cell Temperature (NOCT)	44°C ± 2°C
Temperature Coefficient of Voc	-0.27%/°C
Temperature Coefficient of Isc	0.04%/°C
Temperature Coefficient of Pmax	-0.36%/°C
Operational Temperature	-40°C ~ +85°C
Max. System Voltage	1500V DC
Max. Series Fuse Rating	25A

PACKAGING CONFIGURATION

Height of Modules (mm)	35	30
Number of Modules Per Pallet	31	36
Packaging Box Dimensions (l×w×h) (mm)	2300×1120×1260	2300×1120×1260
Box Gross Weight (kg)	885	1020
Number of Modules Per 40ft (HQ) Container	620	720
Number of Pallets Per 40ft (HQ) Container	20	20

CAUTION: READ SAFETY AND INSTALLATION INSTRUCTIONS BEFORE USING THE PRODUCT

KEY FEATURES

- Higher Power Output**
 Module power increases by 5-25% generally, bringing significantly lower LCOE and higher IRR. 0-5w positive tolerance output warranty.
- Most Advanced Production Technologies**
 Optimize module current profile, improve system-side power generation.
- Multi Busbar Technology**
 By improving optical utilization rate, power increases by 2~3% and efficiency increases by 0.4~0.6%.
- PID Resistance**
 Excellent Anti-PID performance guarantee via optimized mass-production process and material control.
- Low-light Performance**
 Excellent performance in low light.
- Enhanced Mechanical Load**
 Certified to withstand: wind load (2400 Pa) and snow load (5400 Pa).
- Durability Against Extreme Environmental Conditions**
 High salt mist and ammonia resistance certified by TUV NORD.
- EL Full Inspection**
 Dual-stage 100% EL Inspection.



Comprehensive Products and System Certificates
 IEC61215/IEC61730/IEC61701/IEC62716
 ISO 9001: Quality Management System
 ISO 14001: Environmental Management System
 ISO14064: Greenhouse Gases Emissions Verification
 OHSAS 18001: Occupational Health and Safety Management System

LINEAR PERFORMANCE WARRANTY
 15-year product warranty / 25-year linear power warranty

